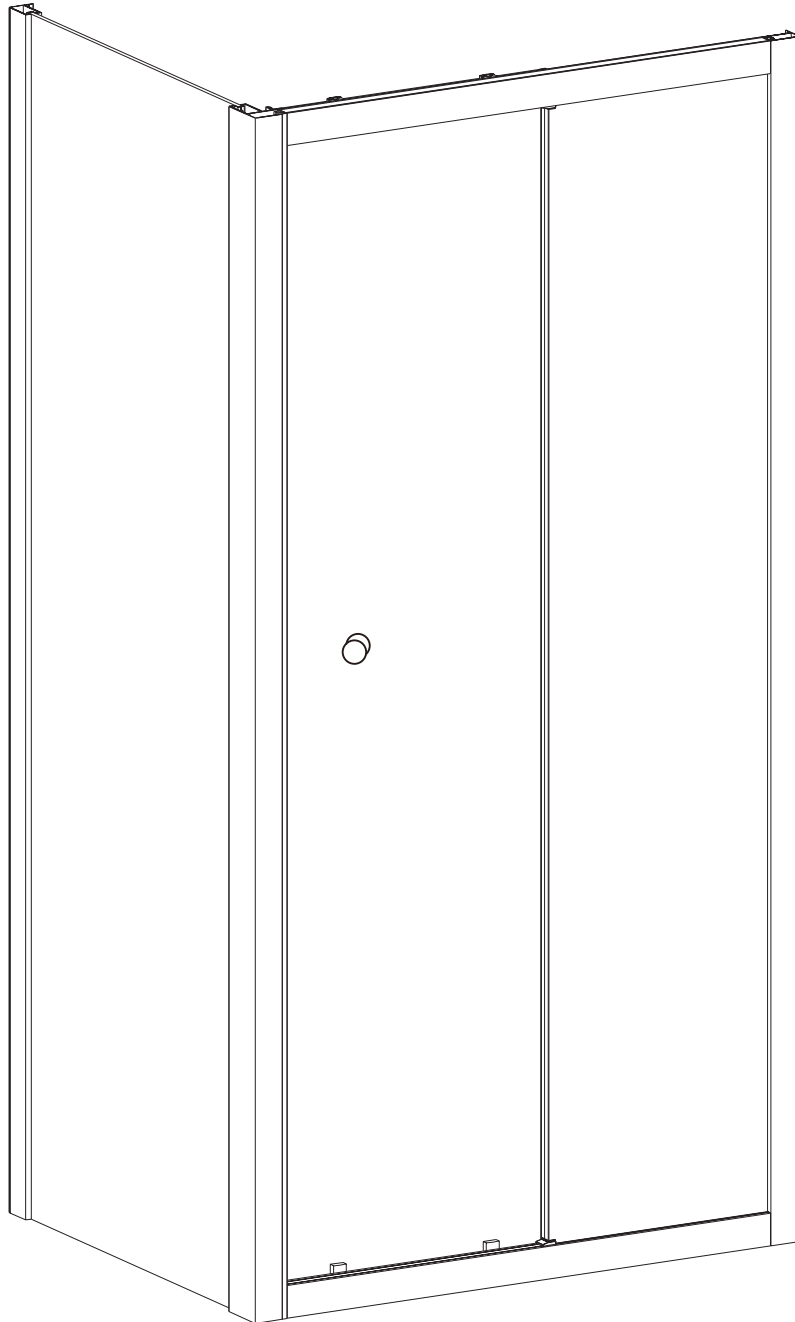


ASSEMBLY INSTRUCTIONS



For installation between 2 walls, or in a left or right hand corner (using a side panel)

Decide which hand is required. Right hand opening illustrated.
Change the hand by turning the door upside down.

BEFORE YOU START , HERE IS SOME IMPORTANT INFORMATION

1) General Information

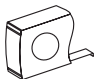


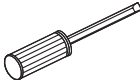

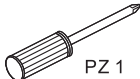

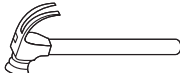


Please inspect this product upon delivery. Any missing parts or manufacturing defects must be reported immediately to the supplier. Damage or defects reported later will not be accepted. **TAKE CARE WHEN HANDLING GLASS PARTS-AVOID HEAVY CONTACT BETWEEN THE GLSS EDGES AND ANY HARD SURFACE.** Glass breakage claims will not be accepted after the product has been unpacked.

Please note--aluminium is a soft metal, and undergoes a series of extrusion, fabrication, polishing and anodising processes in order to create your finished shower enclosure. Some light surface marks are normal, and is a result of the manufacturing processes. Quality control has ensured that this item is of a good standard, and is fit for purpose.

2) Addition notes

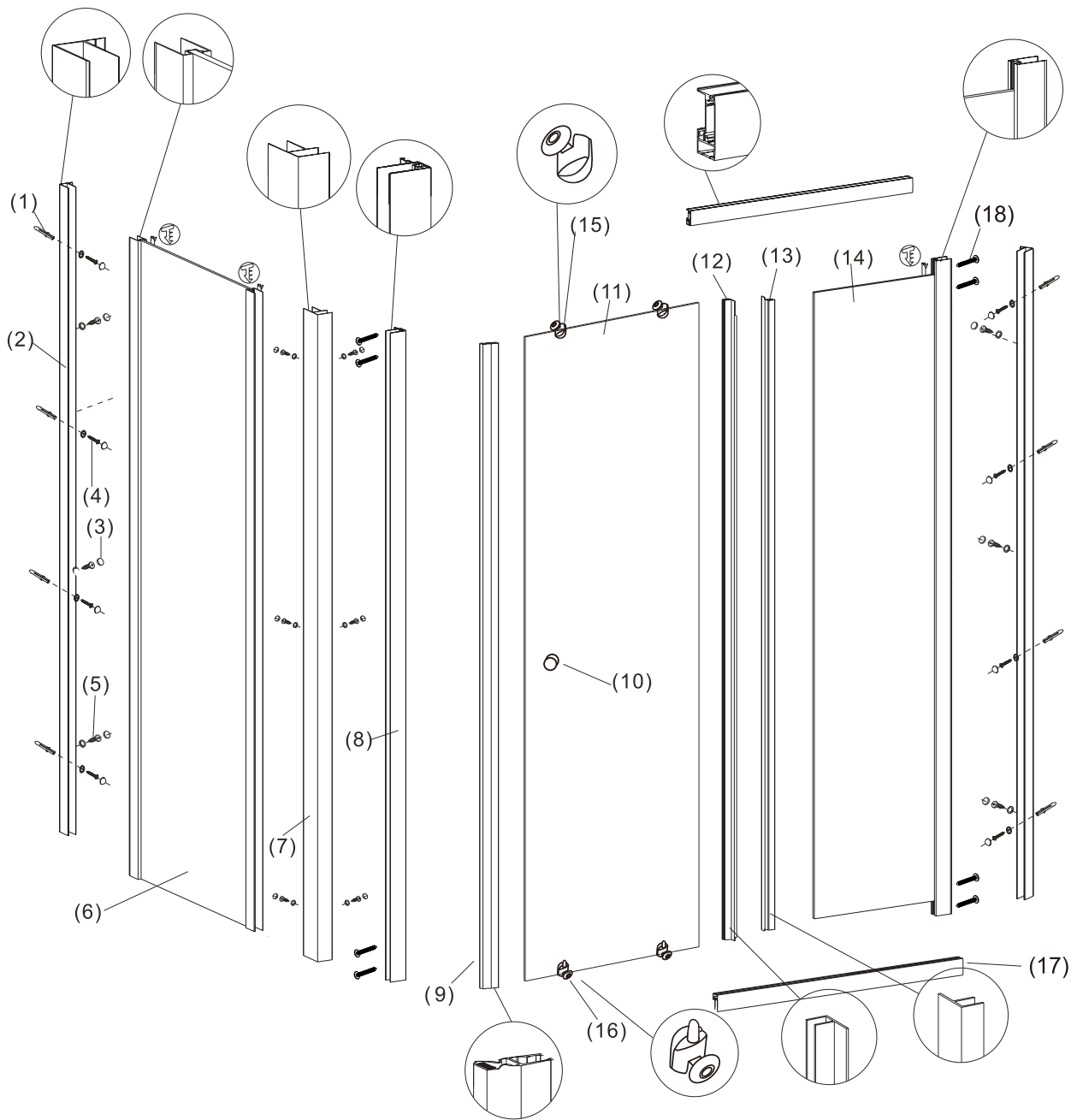
Please read these instructions carefully before starting installation.
Special care should be taken when drilling walls to avoid hidden pipes or electrical cables.
Note:this product is heavy and may require two people to install.

TOOLS REQUIRED

DESCRIPTION	PART IMAGE	DESCRIPTION	PART IMAGE
Tape measure		Drill	
Spirit Level		Flat-head Screwdriver	
Pencil		Cross Head Screwdriver	
Φ 6mm Drill bit		Hammer	
Φ 3mm Drill bit		Silicone Sealant	

 This product is heavy and may require two people to install.

Assembly Instructions – Drawing



- (1) 8x Wall Plugs
- (2) 2x Wall Posts
- (3) 20x Screw Cover Caps(14 req for recess, 20 req for corner)
- (4) 8x Screws M4x30
- (5) 12x Screws M4x12 (8 req for recess, 12 req for corner)
- (6) 1x Fixed Side Panel(in side panel box)
- (7) 1x Corner Post(in side panel box)
- (8) 1x Upright magnet profile for door
- (9) 1x Magnet seal for door glass
- (10) 1x Door handle

- (11) 1x Door panel
- (12) 1x Plastic water Deflector(Door Panel)
- (13) 1x Plastic water Deflector(Fixed Panel)
- (14) 1x Fixed Panel
- (15) 2x Single Wheel Top Rollers
- (16) 2x Single Wheel Quick Release Bottom Rollers
- (17) 2 x Top and Bottom Profile
- (18) 8x Screws M4x30

ASSEMBLY INSTRUCTIONS

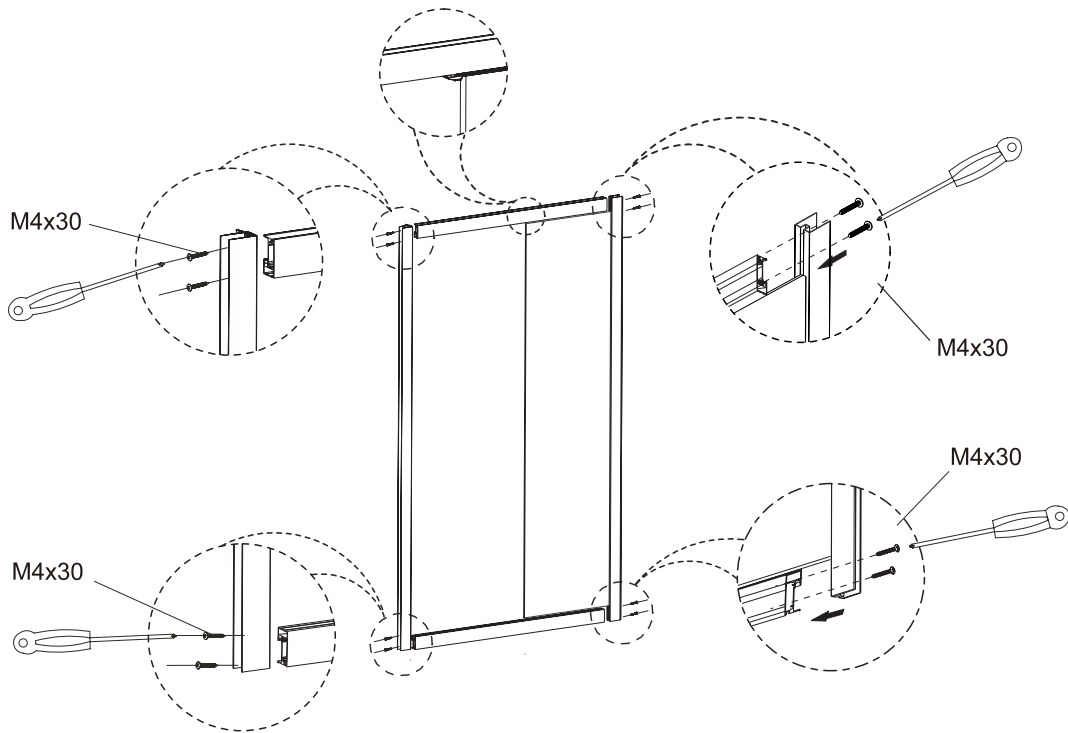
If you require help, we advise you firstly contact a competent plumber

Installation Steps

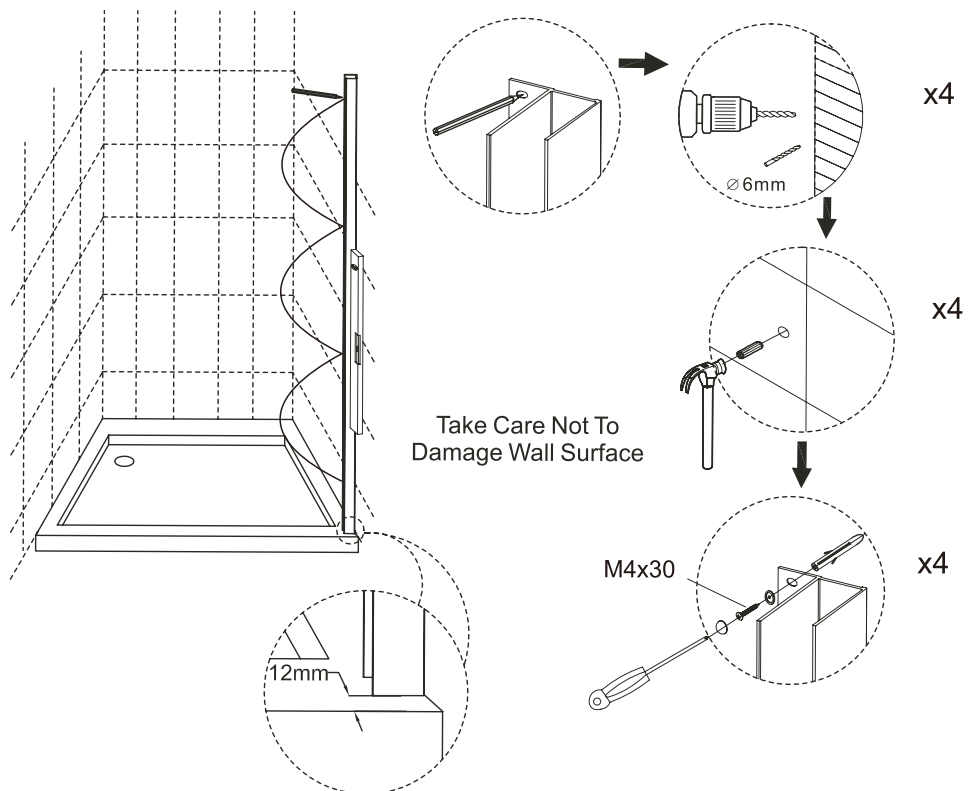
A. FITTING IN AN ALCOVE

Step 1

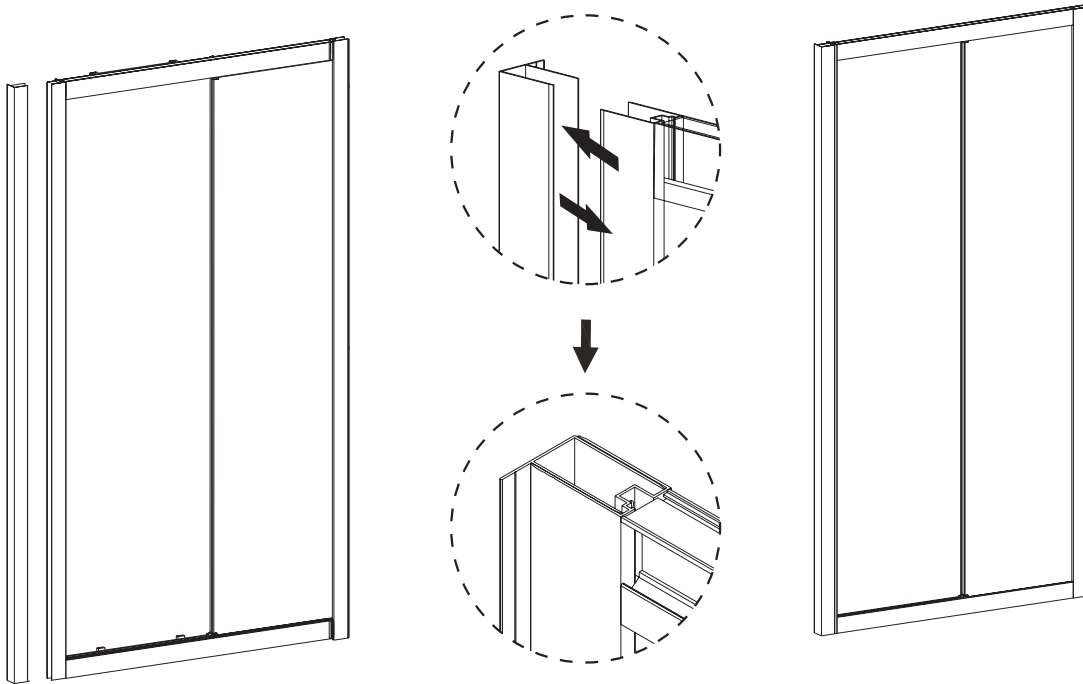
MAKE SURE THE TRAY IS LEVEL, USING A SPIRIT LEVEL, BEFORE INSTALLING THIS SHOWER PANEL / DOOR.



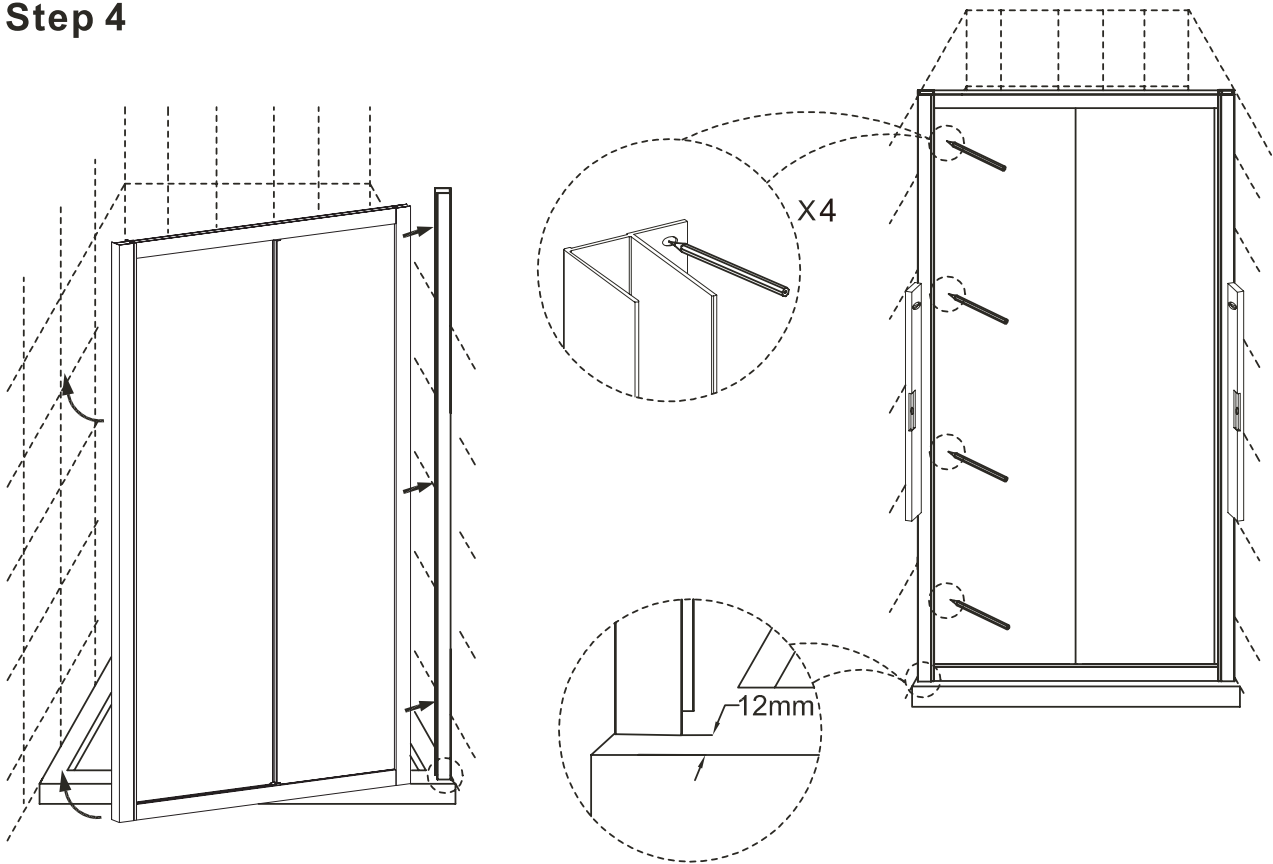
Step 2



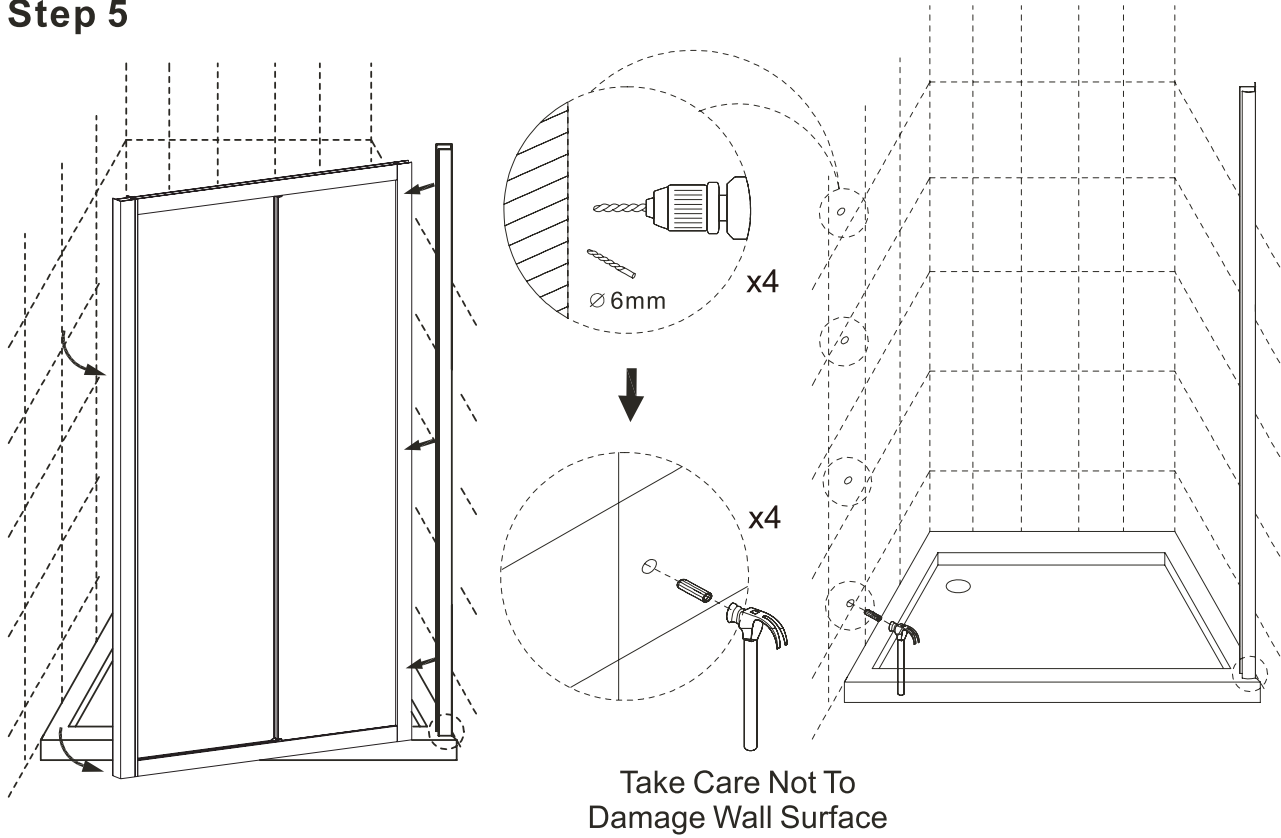
Step 3



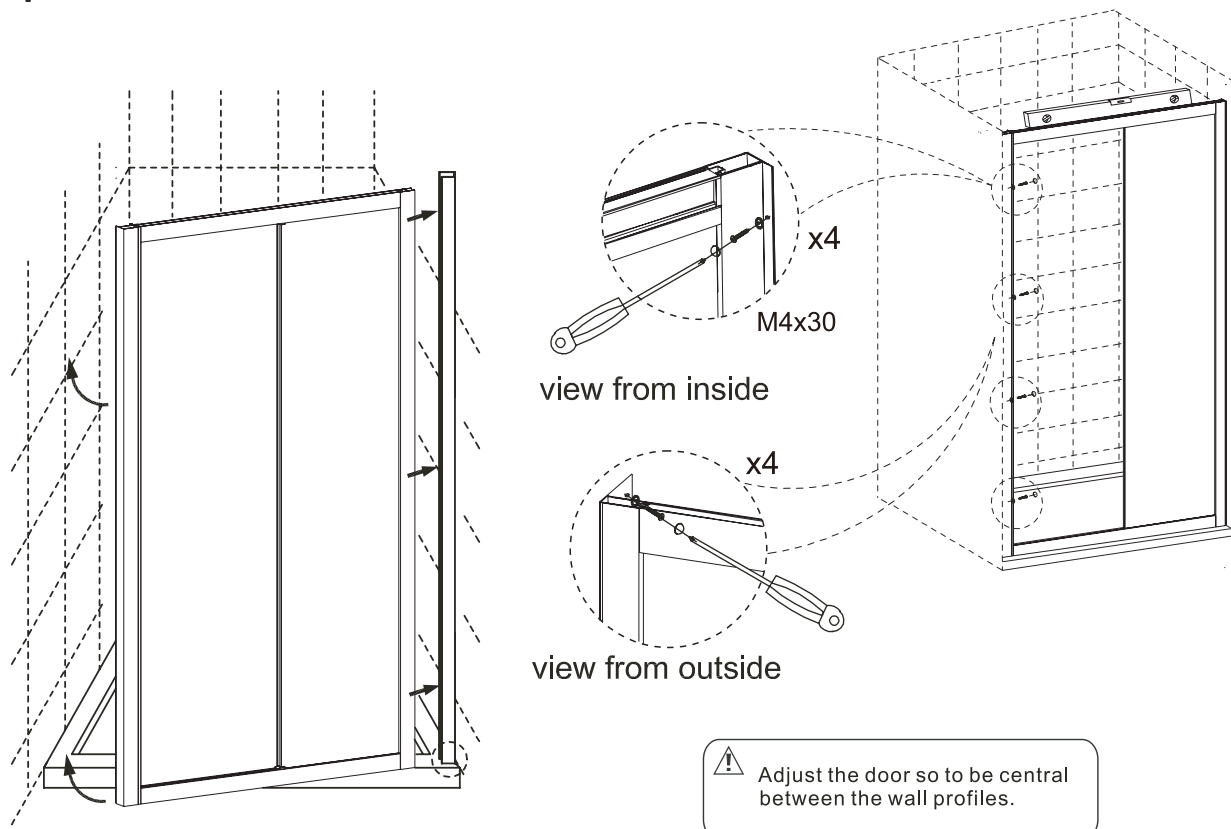
Step 4



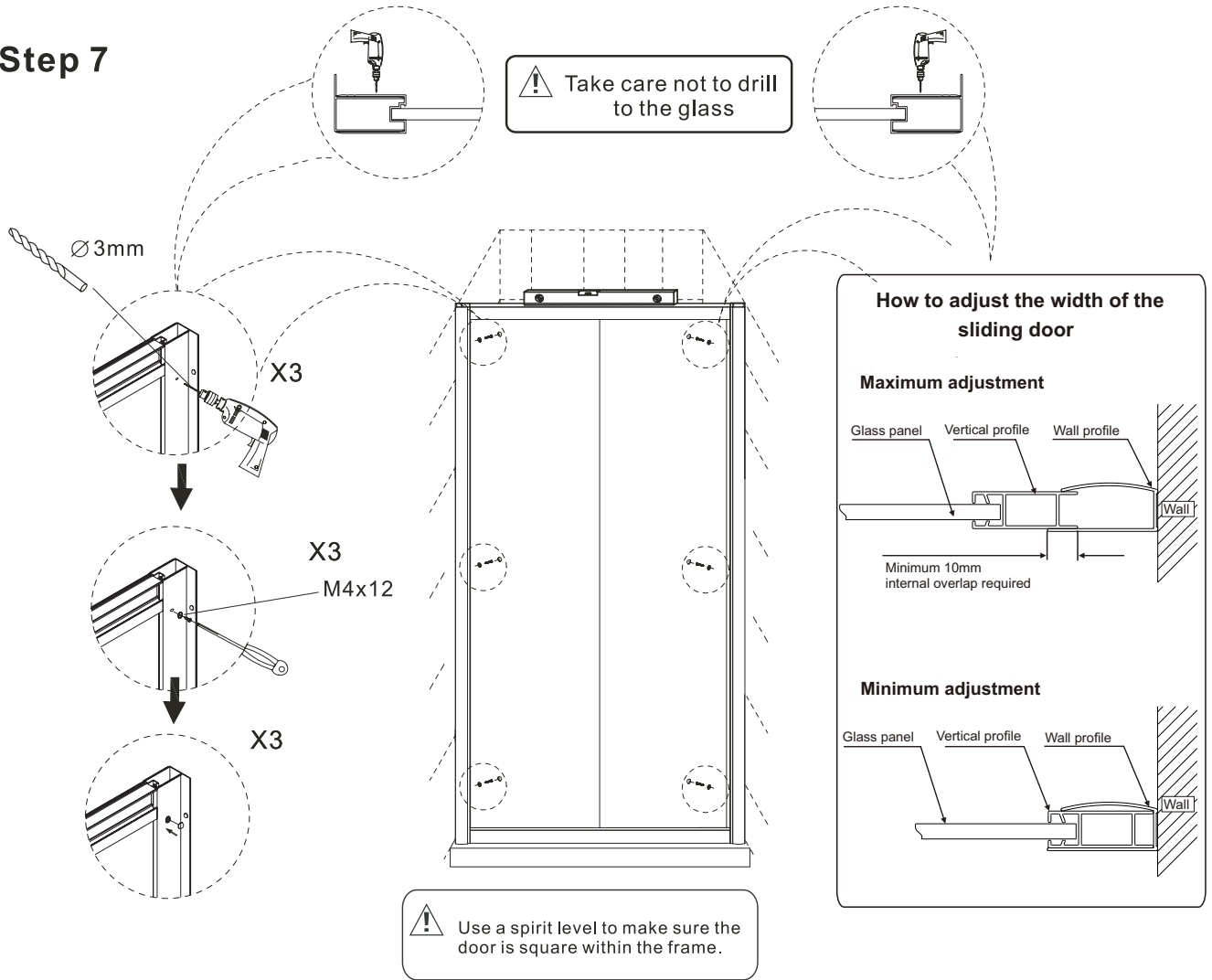
Step 5



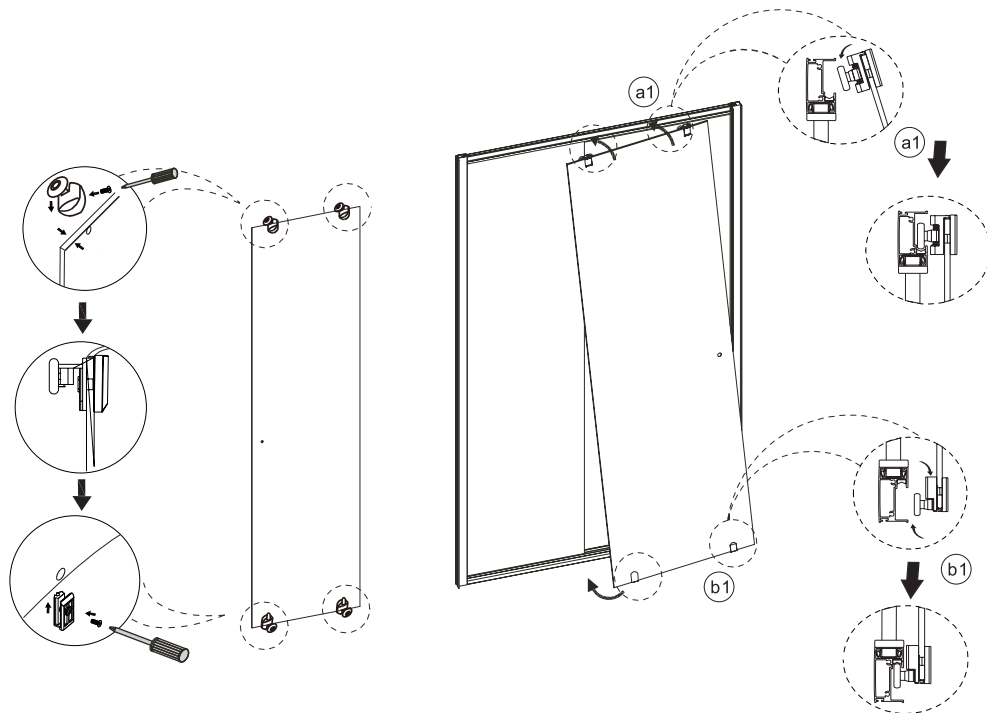
Step 6



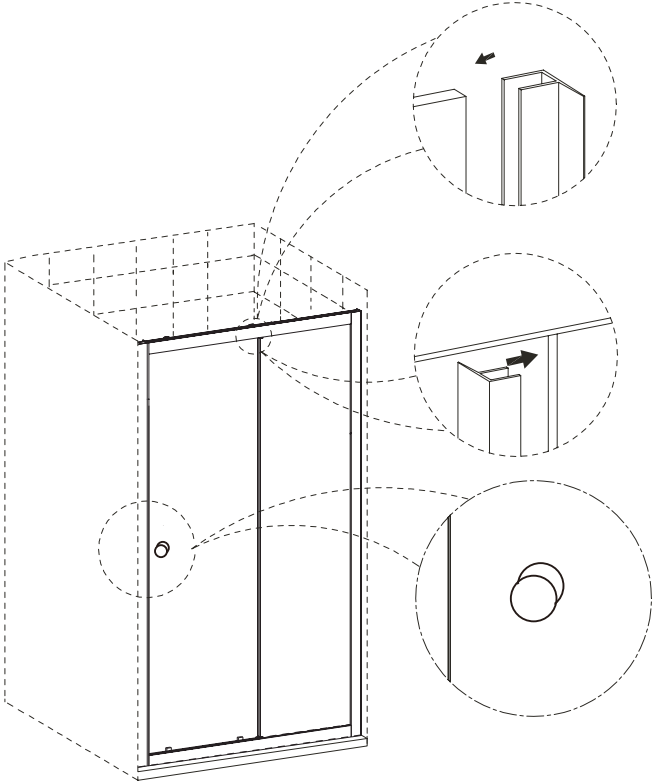
Step 7



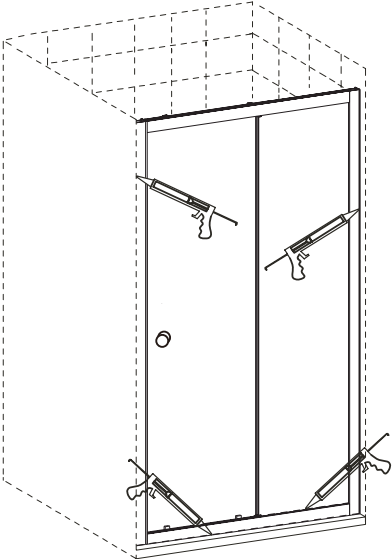
Step 8



Step 9



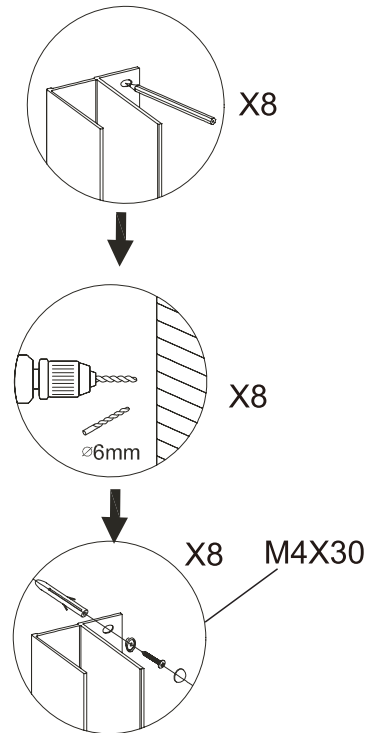
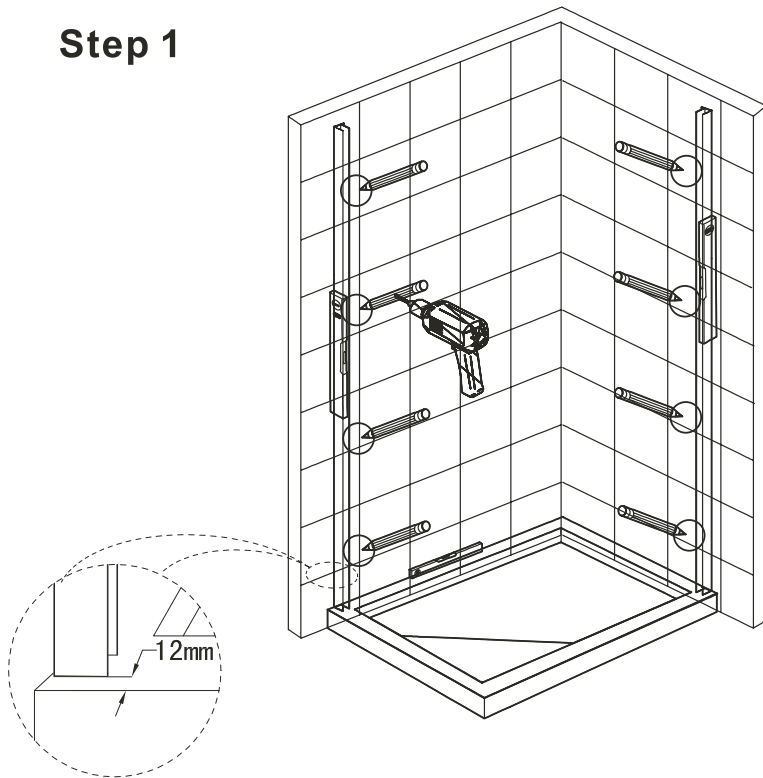
Step 10



Silicone (outside edge only) where the vertical profiles meet the wall, and the horizontal profile meets the tray

B. FITTING IN A CORNER (REQUIRES A SIDE PANEL)

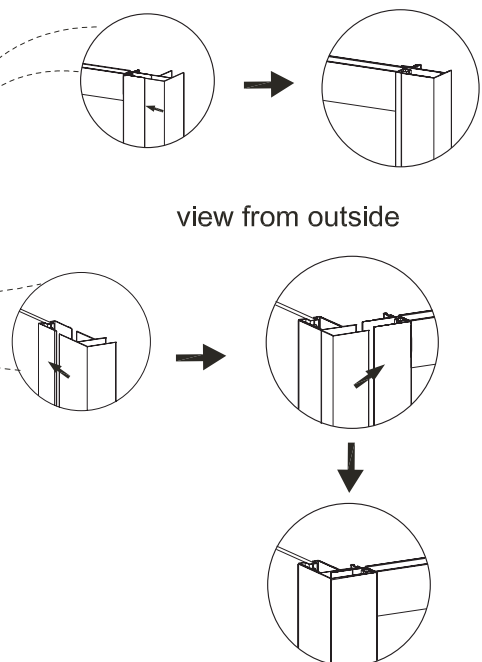
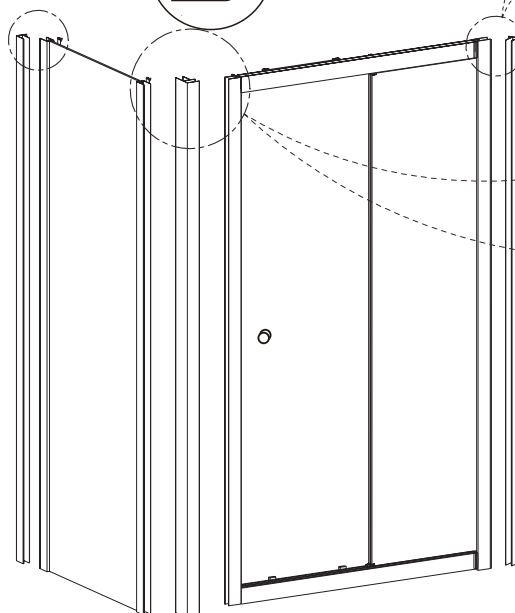
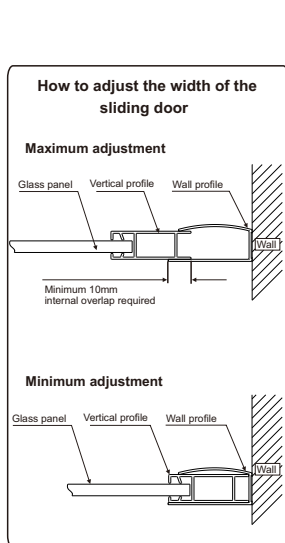
Step 1



- ASSEMBLE DOOR AS PER RECESS INSTRUCTIONS.
- FIT SIDE PANEL FIRST INTO WALL PROFILE, THEN FIT CORNER POST TO SIDE PANEL.
- ADJUST EVENLY ON THE TRAY, AND MAKE SURE ALL PROFILES ARE PLUMB USING A SPIRIT LEVEL.
- DRILL AND SCREW CORNER POST TO SIDE PANEL BEFORE INSTALLING THE SLIDING DOOR.

Step 2

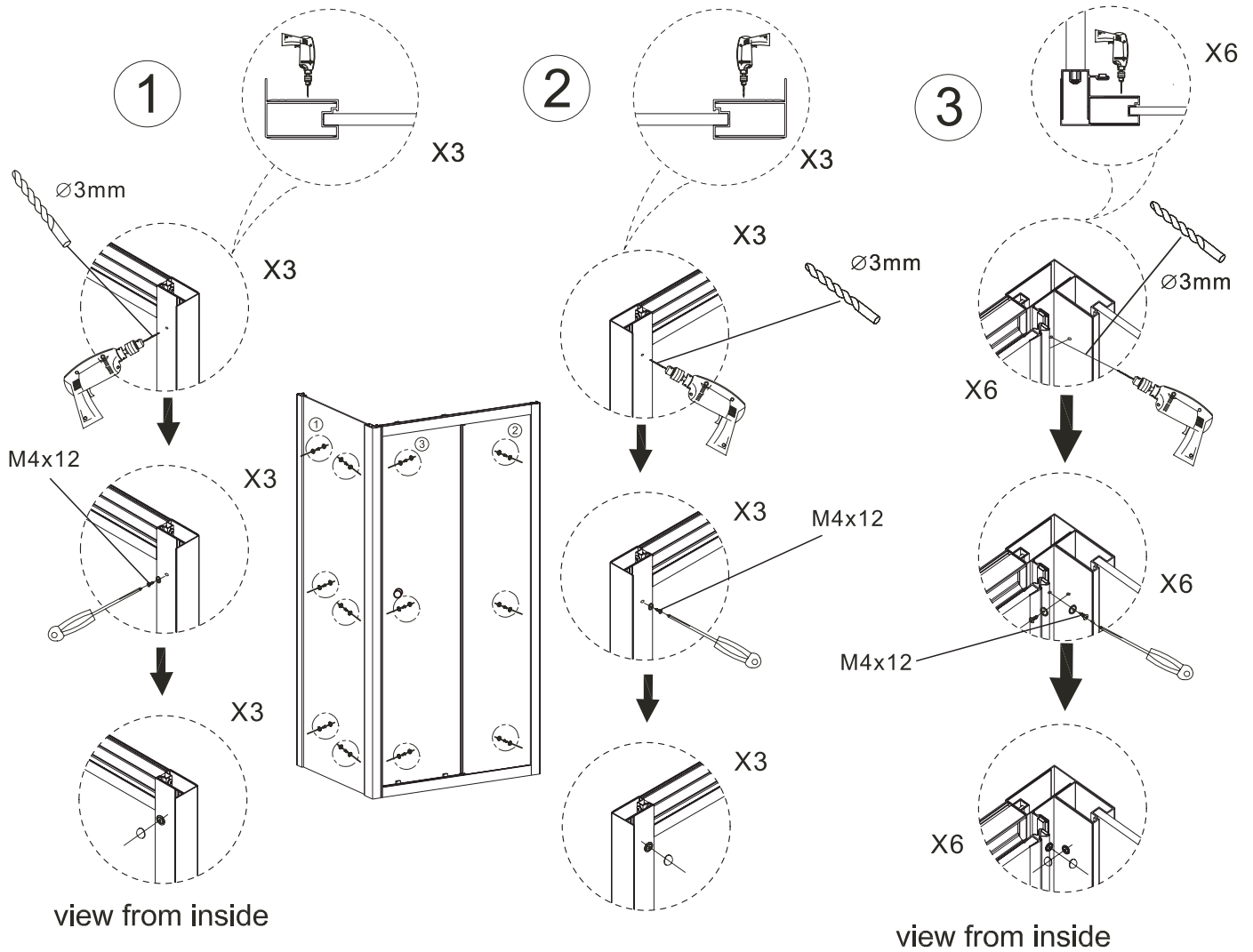
For sliding door
For side panel



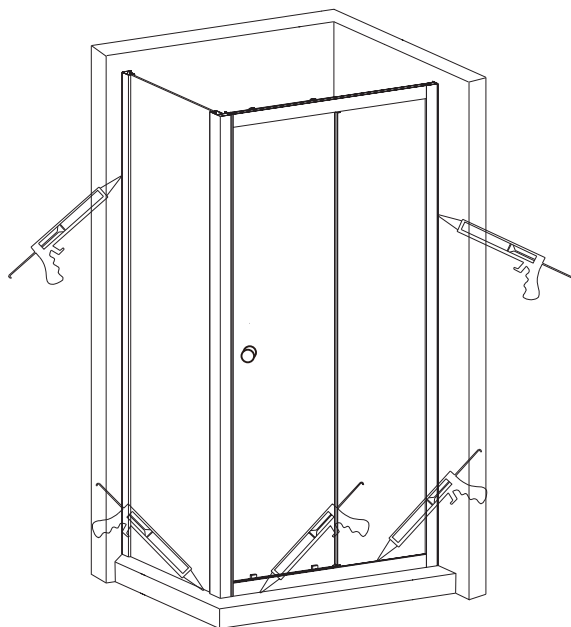
Step 3

⚠ Take care not to drill in to the glass

⚠ Take care not to drill in to the glass



Step 4



Silicone (outside edge only) where the vertical profiles meet the wall, and the horizontal profile meets the tray